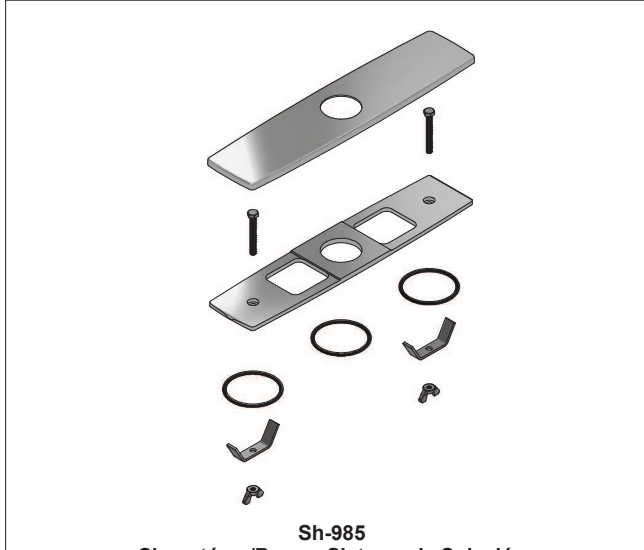
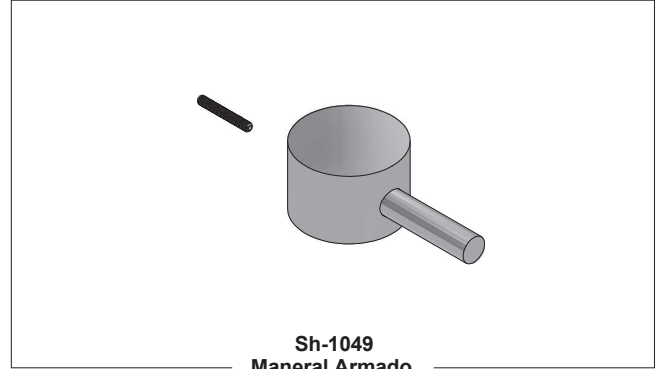


### Sub-ensambles / Sub-assemblies



**Sh-985**  
Chapetón c/Base y Sistema de Sujeción  
Flange with Base and Setting System



**Sh-1049**  
Maneral Armado  
Assembly Handle

